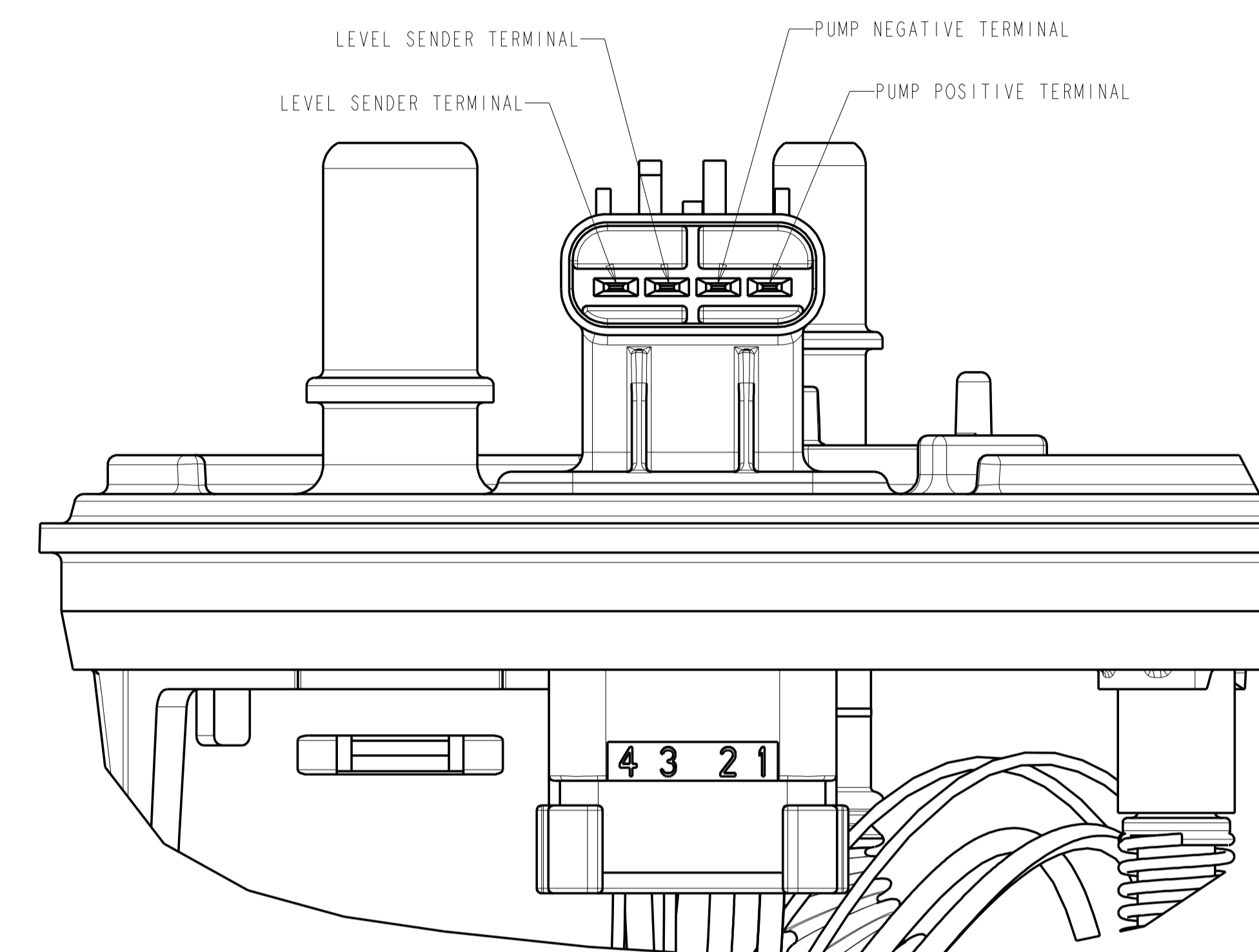
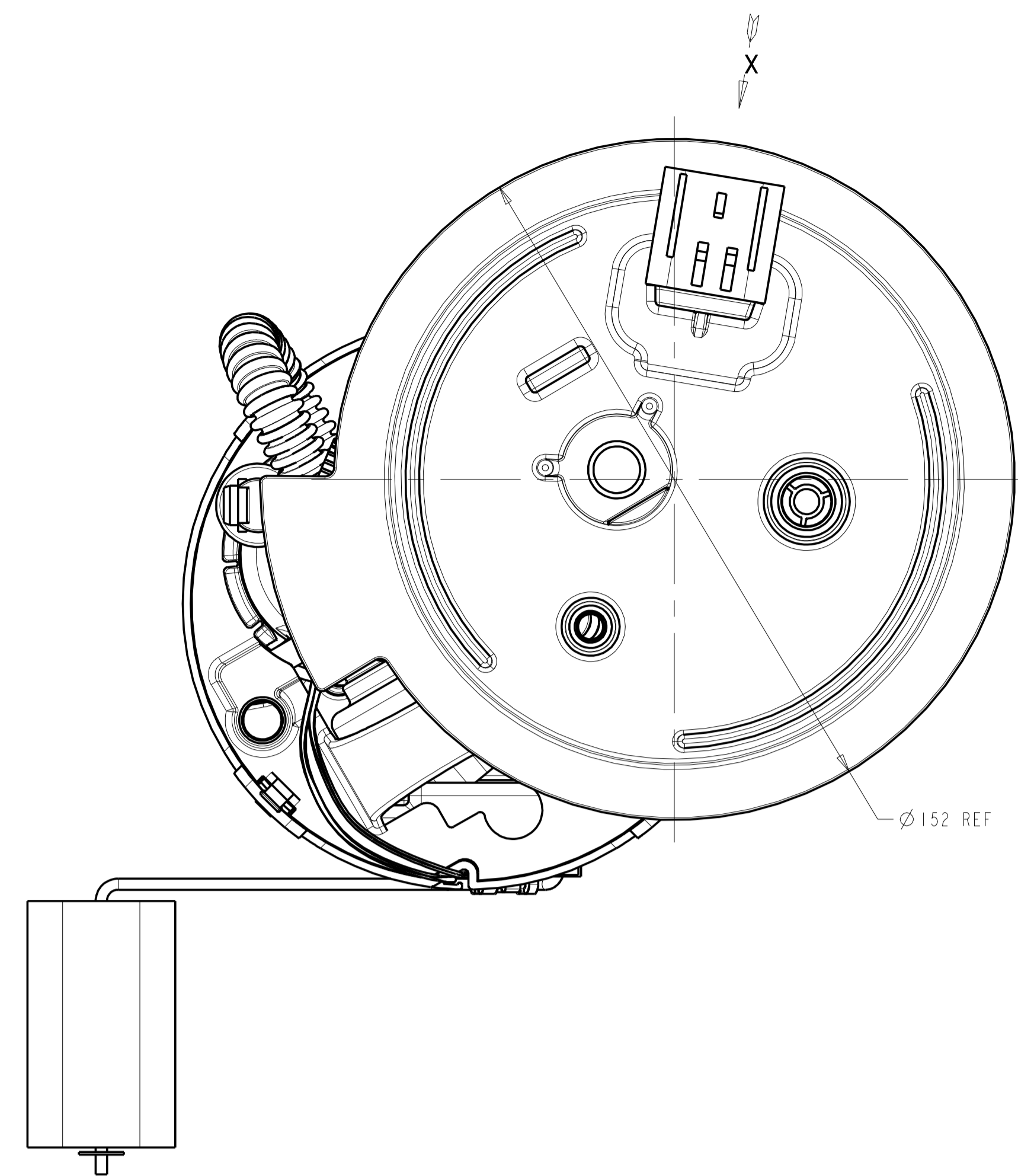
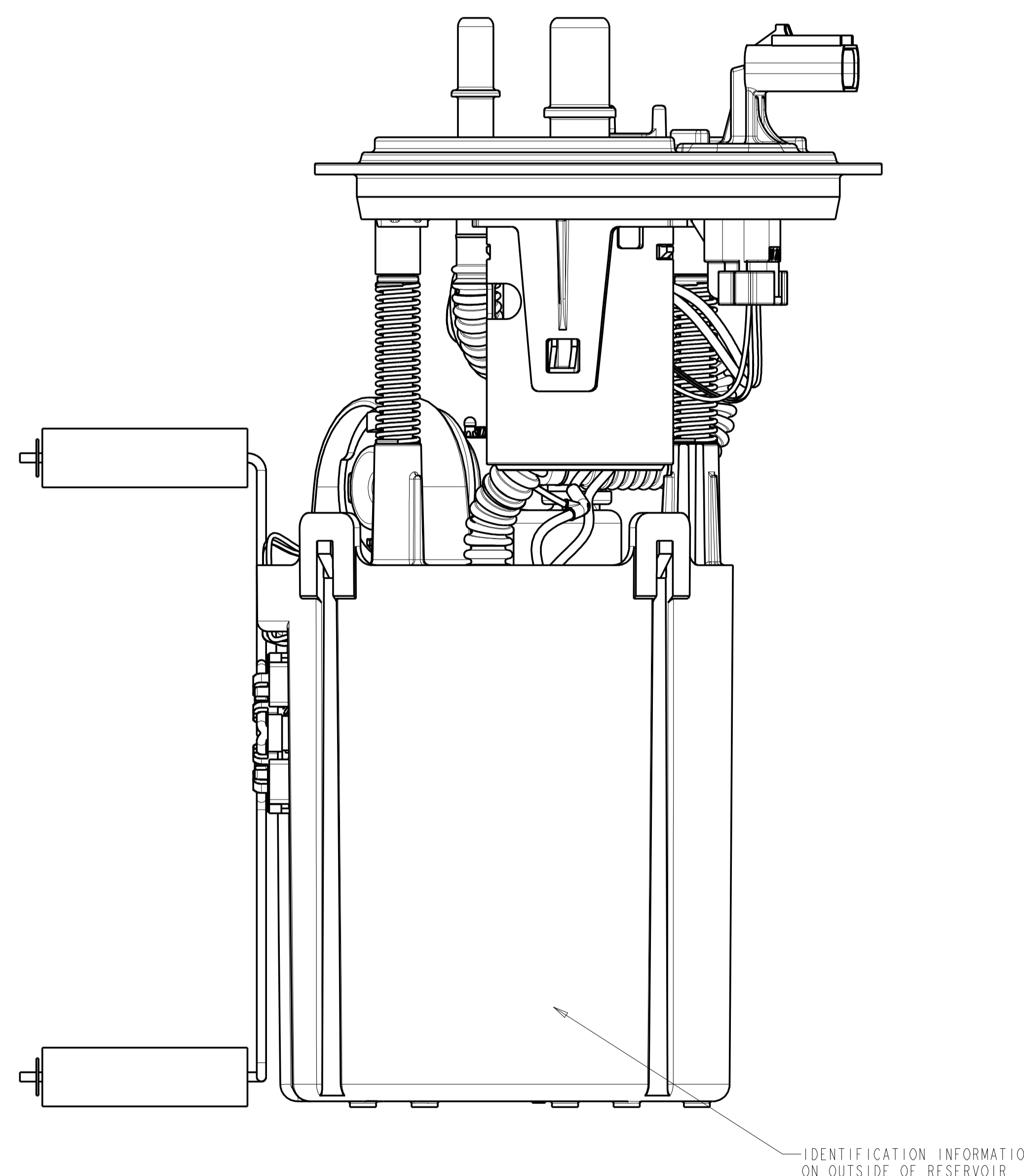
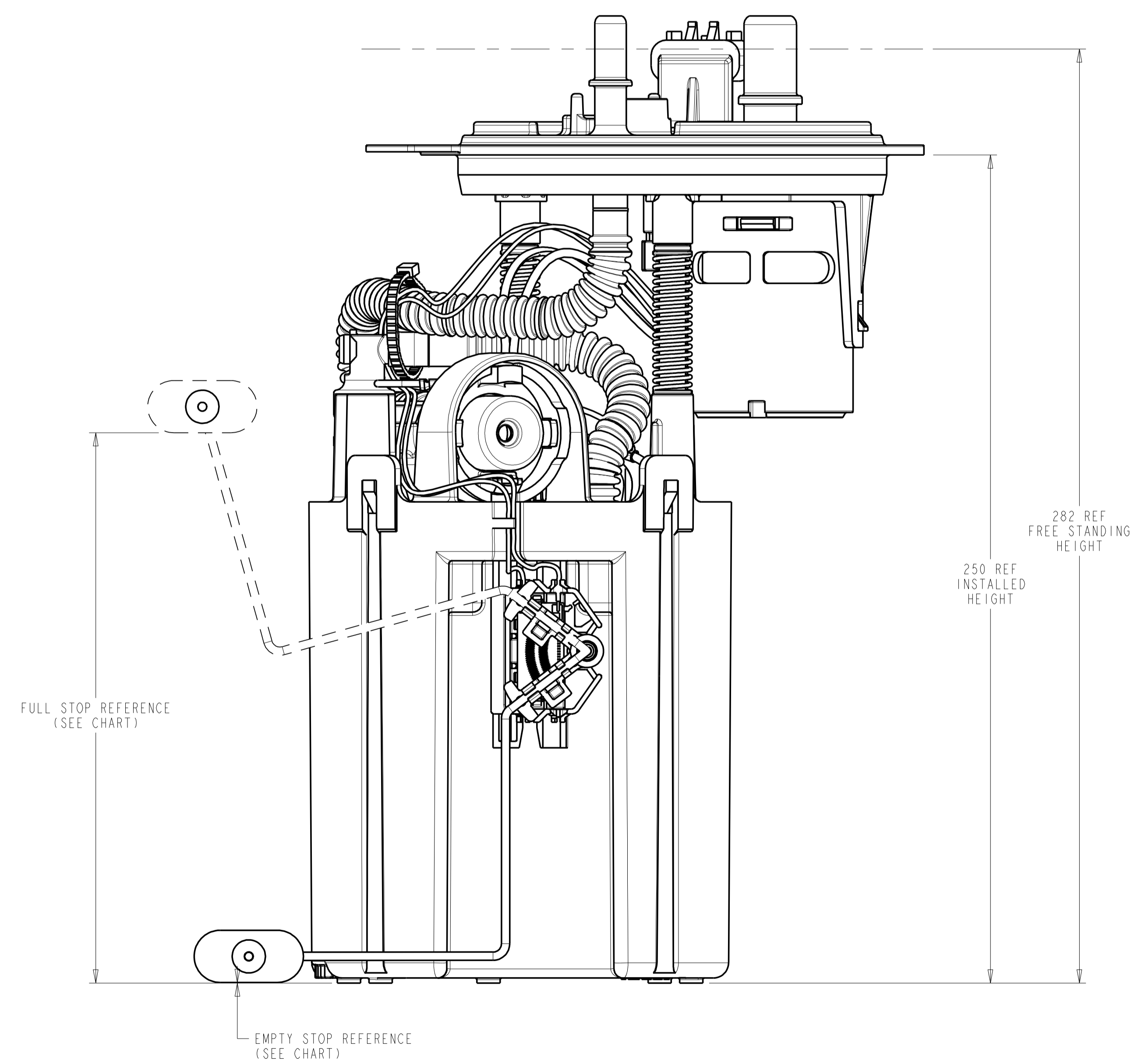


REVISIONS						
ZONE	LTR	DESCRIPTION	CHANGE No	DATE	BY	APPR'D
AA		INITIAL RELEASE	DR50100	25AUG15	RMB	BLM
AB		REMOVE EXTRA GRND WIRE FRM VIEWS	DR55833	11JAN16	RMB	BLM



VIEW IN DIRECTION  
OF ARROW "X"  
E-CONNECTOR PINOUT  
SCALE 2:1



LEVEL SENDER UNIT HEIGHT VS RESISTANCE		
FLOAT POSITION	HEIGHT (mm)	RESISTANCE (Ohms)
FULL STOP	166.3 REF	10 ± 2
EMPTY STOP	0.0 REF	180 ± 4

NOTES:

- CHANGE IN DESIGN, COMPOSITION, LOCATION OR PROCESSING FROM THE PART PREVIOUSLY APPROVED FOR PRODUCTION REQUIRES PRIOR APPROVAL BY TI AUTOMOTIVE.
- SPECIAL CUSTOMER PACKAGING REQUIREMENTS MAY CALL FOR THE ADDITION OF SPECIFIC LABELS NOT SHOWN ON THIS DRAWING.
- SHOWN WIRE ROUTING MAY DIFFER FROM FINISHED PRODUCT.
- MODULE TO BE PACKAGED USING COMPONENTS NOTED ON BOM SO THAT CONTAMINATION FROM FOREIGN MATERIAL IS PREVENTED:
  - PLUG PROTECTORS ON PORTS
  - POLYBAG

▽	DENOTES SAFETY CHARACTERISTIC
◇	DENOTES SIGNIFICANT CHARACTERISTIC
⊕	DENOTES HIGH IMPACT CHARACTERISTIC
<small>TI AUTOMOTIVE CONFIDENTIAL AND PROPRIETARY THIS DRAWING IS PROPERTY OF TI AUTOMOTIVE. ALL RIGHTS ARE RESERVED. FORWARD THIS DRAWING TO THE APPLICABLE TI AUTOMOTIVE DESIGN CENTER. NO THIS DRAWING AND RELATED INFORMATION IS TO BE RELEASED TO ANY OTHER PARTY WITHOUT THE WRITTEN PERMISSION OF TI AUTOMOTIVE. THIS DRAWING IS PROVIDED FOR INFORMATION PURPOSES ONLY AND IS NOT TO BE USED FOR PRODUCTION OR REPAIR OF ANY PRODUCT. TI AUTOMOTIVE ASSUMES NO LIABILITY FOR THE PRODUCTION OF THIS DRAWING OR FOR THE PRODUCTION OF ANY PRODUCT BASED ON THIS DRAWING. FOR MORE INFORMATION CONTACT TI AUTOMOTIVE AT TI.COM OR CALL 1-800-955-6211.</small>	

METRIC			
ALL DIMENSIONS ARE IN MILLIMETERS			
DO NOT SCALE			
DECIMAL TOLERANCES UNLESS OTHERWISE SPECIFIED: ONE PLACE ±0.25 TWO PLACE ±0.13 ANGLES ±1°			
THIRD ANGLE PROJECTION			
DIMENSIONS IN ACCORDANCE WITH ASME Y14.5 - 2009			
		630 COLUMBIA ST. CARO, MI 48723 +1 989.673.7127	
ENGINEER	B.WIDDLETON	04SEP14	MATERIAL SPECIFICATION:
DES.MANAGER			N/A
DESIGNER	R.BRUBAKER	04SEP14	
CAD SYSTEM: PROVE	SCALE: 1:1	SHEET NO. 1 OF 1	
REFERENCE DRAWING:		P/W REFERENCE P/W:	
000113110/AA		2D: AR0038548/AB	
		P/W REFERENCE P/W:	
		3D: AR0038546/AB	
DRAWING NAME:			
FUEL MODULE ASM(AFTMKT F150 09-14 STD RANGE			
TITLE:	DRAWING NUMBER:		
AD	TU294		